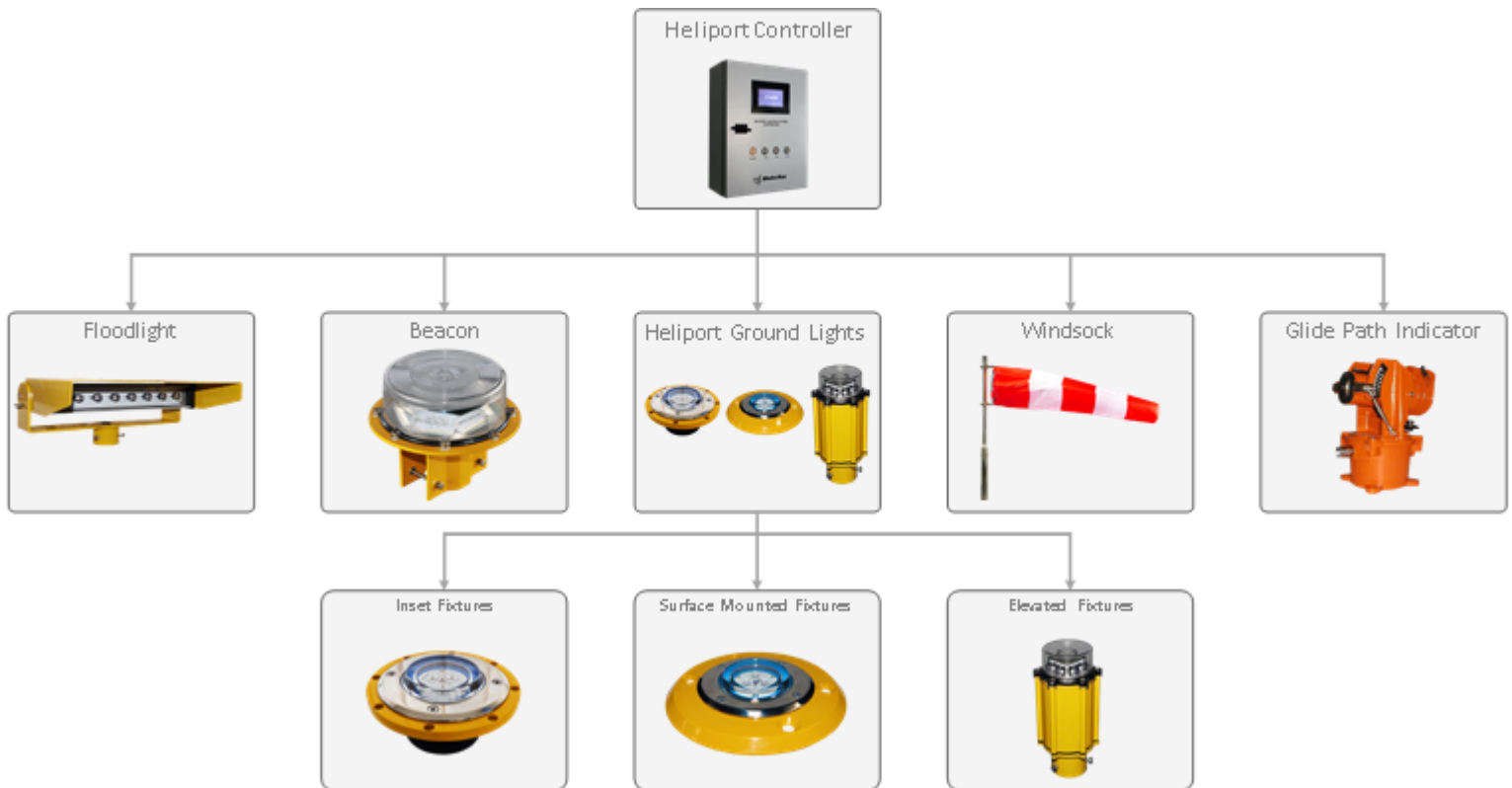


# Heliport Lighting Product Selection Guide



# Heliport Lighting Product Selection Guide

## Heliport Lighting Controllers

### Basic Version



### Features

- Heliport Power Supply and Controller
- Input 110-230VAC 50Hz
  - Output 48VDC / 600W (120W reserved for beacon)
  - Light Intensity Control by using a potentiometer.
  - Brightness levels:
    - 3%, 10% and 100%

### LCD Display Controller



- Input 110-230VAC 50Hz
- Output 48VDC / 600W (120W reserved for beacon)
- Light Intensity on three brightness levels:
  - 3%, 10% and 100%
- LCD Display showing the electrical parameters, status.
- Compatible with: TLOF, FATO, Aiming Point, Approach lights and Beacon.

### Advanced Controller



- Input power range: 110-240Vac
- Output voltage: 48Vdc
- Output power: 600W (120W are reserved for heliport beacon)
- Compatible with: TLOF, FATO, AIMING, APPROACH and BEACON
- Light Intensity Control: the following brightness levels can be set:
  - 10%, 30%, 100%
- LCD Display showing the electrical parameters, status
- Equipped with seven configurable circuits for switching and dimming the light fittings
- Optional: Remote control using mobile networks communications GSM

## Heliport Lighting Product Selection Guide

### Surface Mounted Floodlight

#### Features



- CE Certified
- Corrosion resistant anodized Aluminium-housing
- Designed and built with simplicity and ease of maintenance in mind.
- High power LED technology. Expected Life of LEDs > 100.000 h. Will not require any replacement for the whole life of the product
- Lightweight, low-energy and environment friendly

#### Mounting Options



On Base Plate



On 160mm Dia. Shallow Base



On standard 8" Shallow Base

#### Characteristics

**Housing:** Powder-coated aluminium, RAL 1004 (aviation yellow)

**Anti glare visor:** Powder-coated aluminium, RAL 1004

**Disperser:** 3mm clear polycarbonate

**Cable gland:** Nickel-plated brass

**Fasteners :** Stainless steel

**Operating Temperature :** -55° to + 55° C

**Protection Level :** IP66

**Power Supply :** 90-230V, 50/60Hz

**Power Consumption :** 25W

# Heliport Lighting Product Selection Guide

## Elevated Heliport Lighting Fittings



### Features

- Protection Degree: IP66 certified
- Expected Life of LEDs: > 100.000 h. Will not require any replacement for the whole life of the product.
- CE Certified
- Compact and low weight
- Corrosion resistant anodized Aluminium-housing withstanding corrosive environments.
- NVG Option available

### Mounting Options



On Base Plate



On 160mm Dia. Shallow Base



On standard IEC 8" Shallow Base

### Characteristics

- Power Supply : 90-230V, 50/60Hz Fixed Brilliancy; 48Vdc dimmable at 10%, 30% and 100% using AL-076-AX controller
- Light Intensity and distribution in accordance with ICAO Annex 14 Vol. 2 Para . 5.2.3.5
- Power Consumption
  - FATO: 10W
  - TLOF: 5W
- Operating Temperature between -40 and + 55° C
- Protection Class: IP 66

### Applications and Codes

ELEVATED APPROACH:  
 ELEVATED FATO :  
 ELEVATED TLOF:  
 ELEVATED TAXIWAY:

AL-056-08-WH-White  
 AL-057-03-WH-White  
 AL-058-03-GR-Green  
 AL-010-03-BL-Blue

# Heliport Lighting Product Selection Guide

## Inset Heliport Lighting Fittings

### Features



- Protection Degree: IP66 certified (IP68 upon request)
- Expected Life of LEDs: > 100.000 h. Will not require any replacement for the whole life of the product.
- CE Certified
- Compact and low protrusion
- Corrosion resistant anodized Aluminium-housing
- NVG Option available

### Mounting Options



On 160mm Dia. Shallow Base



On standard IEC 8" Shallow Base

### Characteristics

- Power Supply : 90-230V, 50/60Hz Fixed Brilliancy 48Vdc dimmable at 10%, 30% and 100% using AL-076-AX controller
- Light Intensity and distribution in accordance with ICAO Annex 14 Vol. 2 Para . 5.2.3.5
- Low Power Consumption
- All metal parts can withstand corrosive environments.
- The upper lens is made of highly impact-resistant glass. The degree of impact protection is IK 10
- All surfaces of the finished top assembly are smooth, free of sharp edges.
- Operating Temperature between -40° and + 55° C

### Applications and Codes

- |                |                      |
|----------------|----------------------|
| INSET FATO :   | AL-071-03-WH – White |
| INSET TLOF:    | AL-073-03-GR – Green |
| INSET TAXIWAY: | AL-072-03-BL – Blue  |

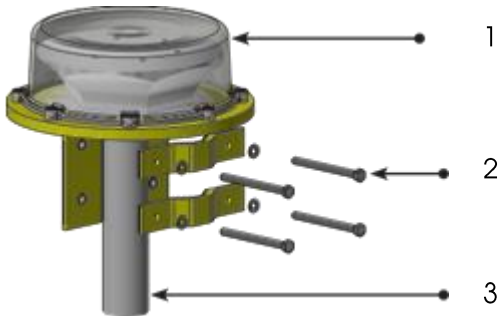
# Heliport Lighting Product Selection Guide

## Heliport Identification Beacon

### Features

- Protection Degree: IP66 certified
- CE Certified
- Corrosion resistant anodized Aluminium-housing
- High power LED technology. Expected Life of LEDs: > 100.000 h. Will not require any replacement for the whole life of the product
- Lightweight, low-energy and environment friendly
- Power Supply : 90-230V, 50/60Hz
- Light Intensity and distribution in accordance with ICAO ICAO Annex 14 Vol.2 fig.5-11/1
- Power Consumption 140W including controller
- All metal parts can withstand corrosive environments.
- Operating Temperature between -55° and + 55° C

### Mounting



1. Light Fixture Code: AL-061-84-WH
2. M6\*100 Hexagonal Head Screw
3.  $\Phi$ 32mm -  $\Phi$ 60mm Tube

## Beacon Controller

- The heliport beacon emit repeated series of equispaced short duration white flashes.
- Light flashing rate: letter H in Morse code..

