









Heliport Flat Lights

The ALS 9W Flat LED lights are designed specifically for Heliports, Helipads and Offshore Platforms.

This Flat range is particularly useful for installation on the ground surface where there is no access or option for buried cable trenches. This makes for a fast and speedy installation.

<p>Flat FATO Light for Helipad & Heliport</p> 	<p>Flat Alignment for Ground Elevated Heliport</p> 	<p>Flat Alignment - FD for Helipad & Heliport</p> 
<p>Flat FATO – FD</p> 	<p>Flat Taxiway – FD for Helipads & Heliports</p> 	<p>Flat TLOF – FD for Helipads & Heliports</p> 
<p>Flat Taxiway Light for Helipad & Heliport</p> 	<p>Flat TLOF</p> 	



Compliance



- ICAO Annex 14 Vol 2. Heliports
- ICAO Annex 14 Vol 1. Aerodrome design and operation
- ICAO DOC 9261 heliport manual
- ICAO DOC 9157 Aerodrome design manual part 4 (Visual Aids)
- IEC TS 61827 electrical installations for lighting and beaconing of aerodromes

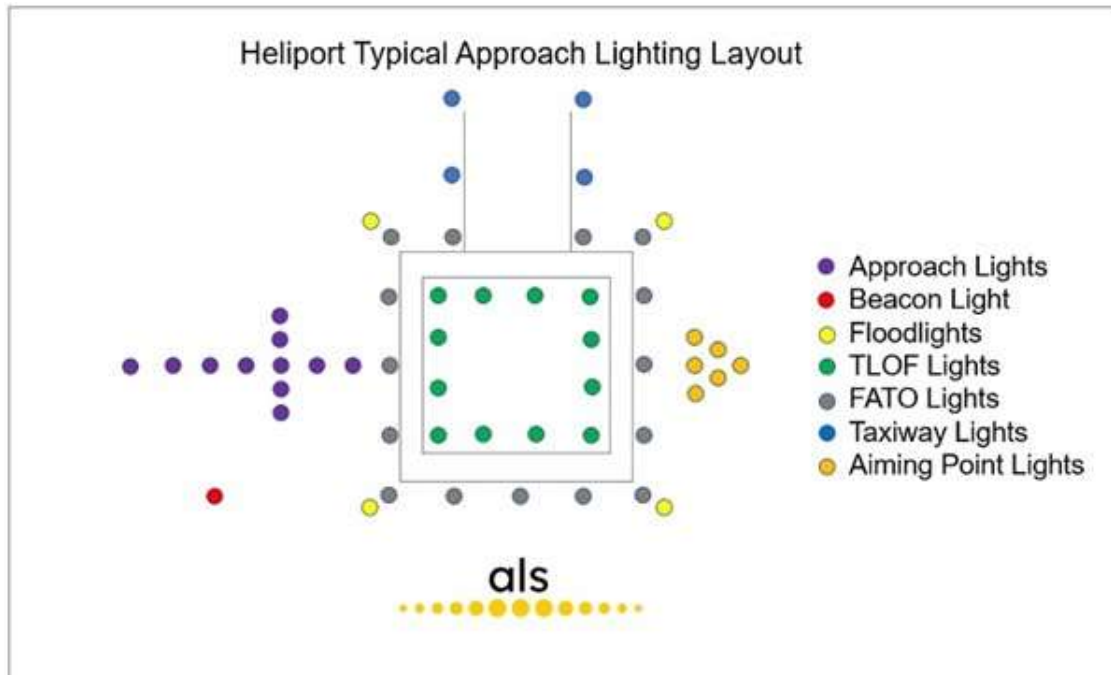
Features:

- 9W Power Consumption
- Dimmable to 100%, 30% or 10%
- Protection Degree: IP66 certified
- Expected Life of LEDs:> 100.000h. Will not require any replacement for the whole life of the product
- CE certified
- Compact and low protrusion
- Corrosion resistant anodized Aluminium-housing
- Nickel plated ring.
- NVG Option available
- Cable gland – nickel plated brass.
- Light fittings are UV protected.





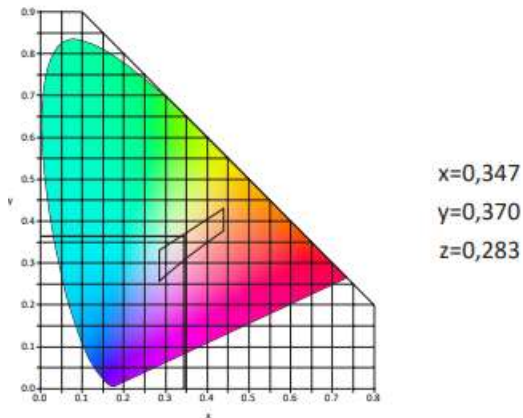
Lighting Layout



Characteristics

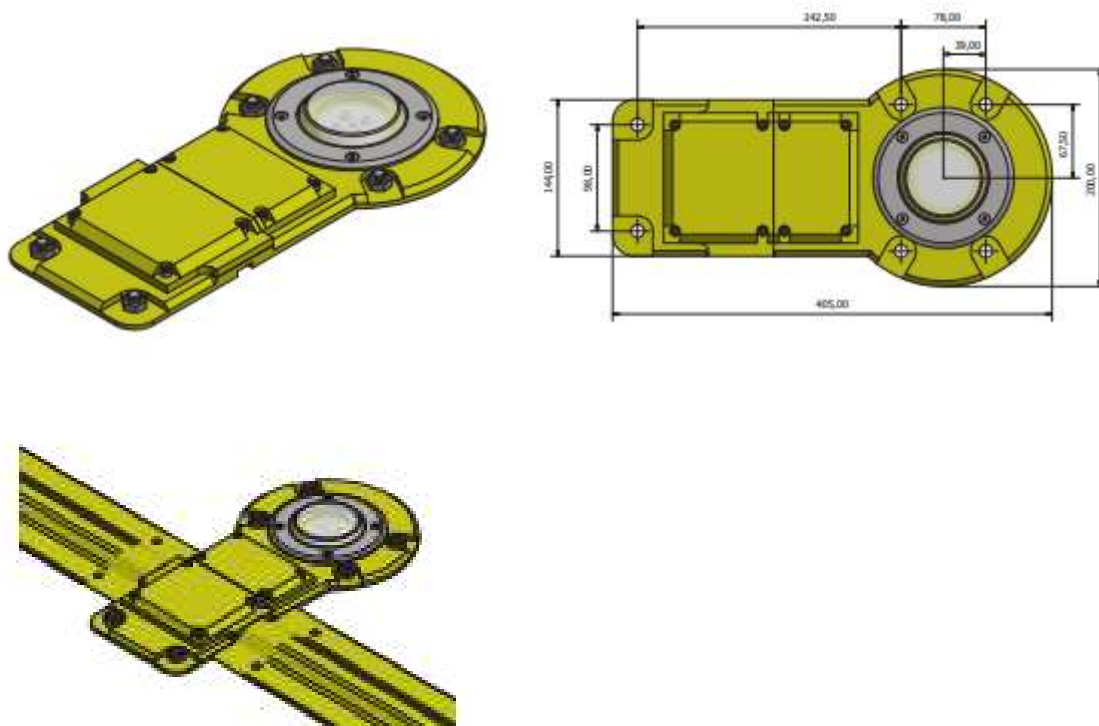
- Power Supply: 90-230V, 50/60Hz
- Fixed Brilliancy, 48Vdc dimmable at 10%, 30% and 100% using AL-076-AX controller
- Light intensity and distribution in accordance with ICAO Annex 14 Vol. 2 Para , 5.2.3.5
- Power consumption
- FATO: 9W
- All metal parts can withstand corrosive environments
- The upper lens is made of highly impact-resistant glass, the degree of impact protection is IK 10
- All surfaces of the finished top assembly are smooth, free of sharp edges
- Operating Temperature between -55°C and + 55°C
- Protection Class: IP66 (IP68 upon request)

Photometrics



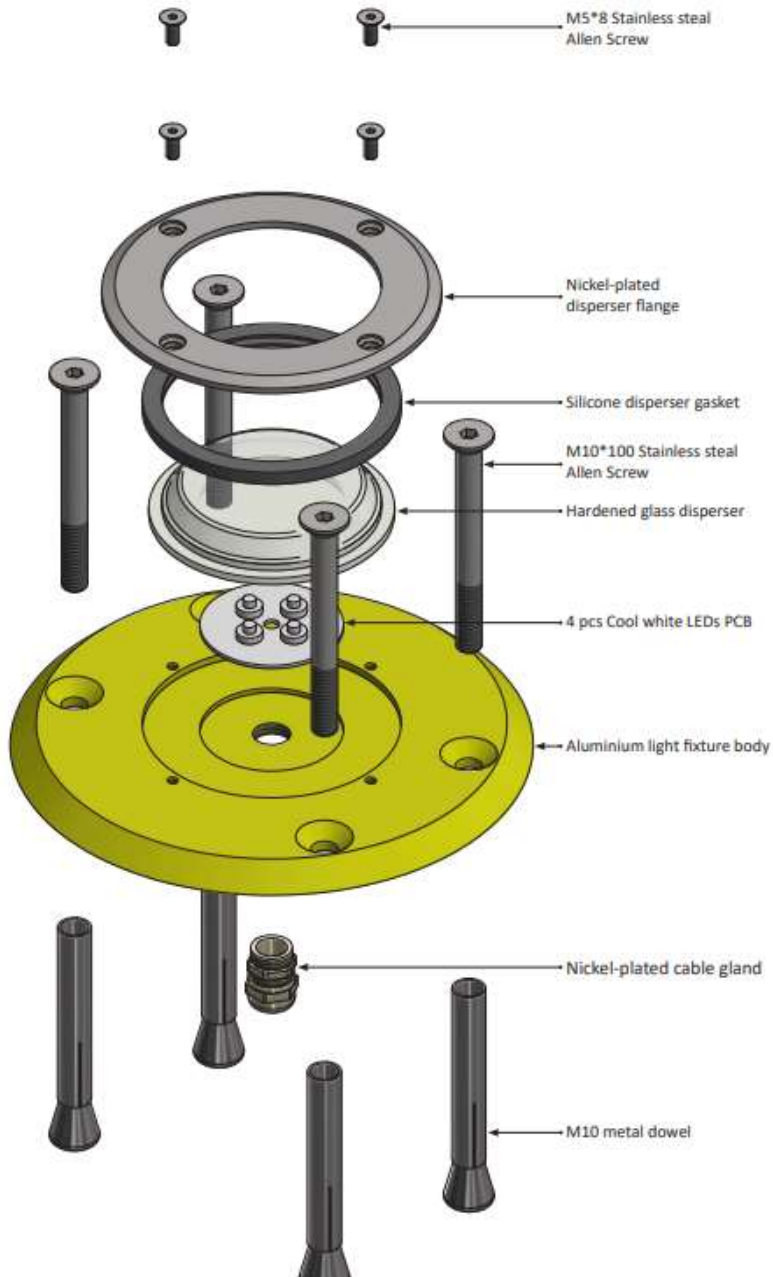
The measured trichromatic coordinates correspond to colour range requirements in: ICAO Annex 14 - Aerodromes Vol.1, fig. A1-1-1b. Colours for aeronautical ground lights (solid state lighting)

Line Drawing



Power cables can be mounted in aluminium conduit with Flat fitting.

Exploded View Drawing



Dimensions

Length 405mm x 200mm

Height 23.5mm

Weight 2.5Kg