

Heliport Inset Light Fittings

The ALS 9W Inset heliport lighting fixtures are using a common body and power converter.

They are used for FAT, TLOF and Taxiway Edge installations.

There is a comprehensive range of five models to provide all the complete options necessary for operating a Heliport.

<p>Inset Aiming on Ground (Elevated Heliport)</p> 	<p>Inset Alignment on Ground (Elevated Heliport)</p> 	<p>Inset FATO used on Surface Level Heliport</p> 
<p>Inset Ground – Taxing of Helicopters</p> 	<p>Inset TLOF for Ground or Elevated Heliport</p> 	



Figure 1 Inset Fitting in 160mm standard base

Range Options

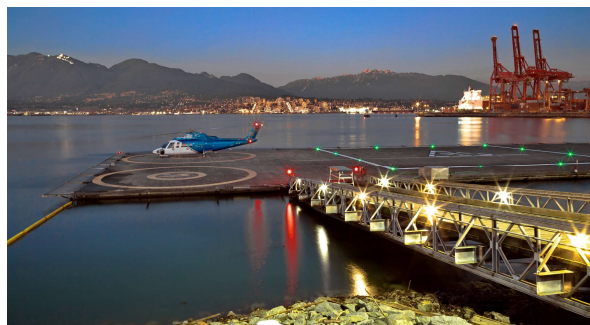
Inset Aiming (White) is designed to signal on a Heliport the landing point in the landing procedure creating a pattern of a least six omnidirectional white lights.

Inset Alignment (White) fittings provide flight path alignment guidance is white omni directional lighting system to indicate available approach and/or departure path direction on Heliports and Helidecks.

Inset FATO (White) omnidirectional lights are white and are used of surface level Heliports. They are placed uniformly along the edges of the FATO area.

Inset Taxi (Blue) omnidirectional lighting system is intended for use when Helicopters are taxiing on surface or ground Heliports.

Inset TLOF (Green) are omnidirectional lights for surface or elevated Heliports or Helidecks to





Compliance

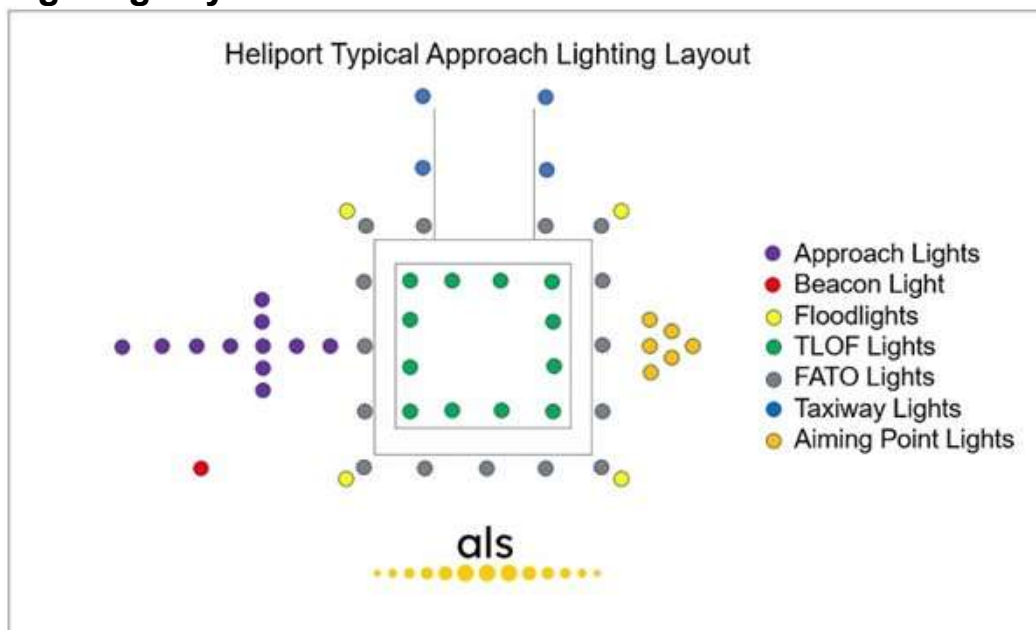


- ICAO Annex 14 Vol 2. Heliports
- ICAO Annex 14 Vol 1. Aerodrome design and operation
- ICAO DOC 9261 heliport manual
- ICAO DOC 9157 Aerodrome design manual part 4 (Visual Aids)
- IEC TS 61827 electrical installations for lighting and beaconing of aerodromes

Features

- Protection Degree: IP66 certified
- Expected Life of LEDs: > 100.000h. Will not require any replacement for the whole life of the product
- CE certified
- Compact and low protrusion
- Optimized for integration in elevated Helipads
- Corrosion resistant anodized Aluminium-housing
- NVG Option available

Lighting Layout





Characteristics

Power Supply:

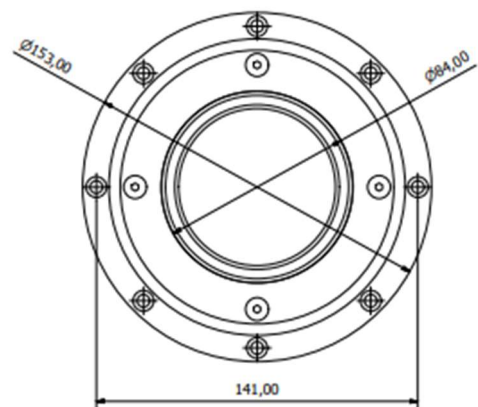
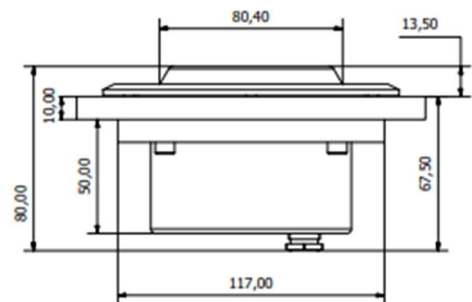
- 90-230V, 50/60Hz Fixed Brilliancy, 48Vdc dimmable at 10%, 30% and 100% using AL-076-AX controller
- 1.4A CC – dimmable 100%/30%/10% (internal bypass + SPD)
- Power consumption 9W
- Light intensity and distribution in accordance with ICAO Annex 14 Vol. 2 Para , 5.2.3.5
- All metal parts can withstand corrosive environments
- The upper lens is made of highly impact-resistant glass, the degree of impact protection is IK 10
- All surfaces of the finished top assembly are smooth, free of sharp edges
- Operating Temperature between -40C and + 55C
- Protection Class: IP66 (IP68 upon request)

Applications and Codes

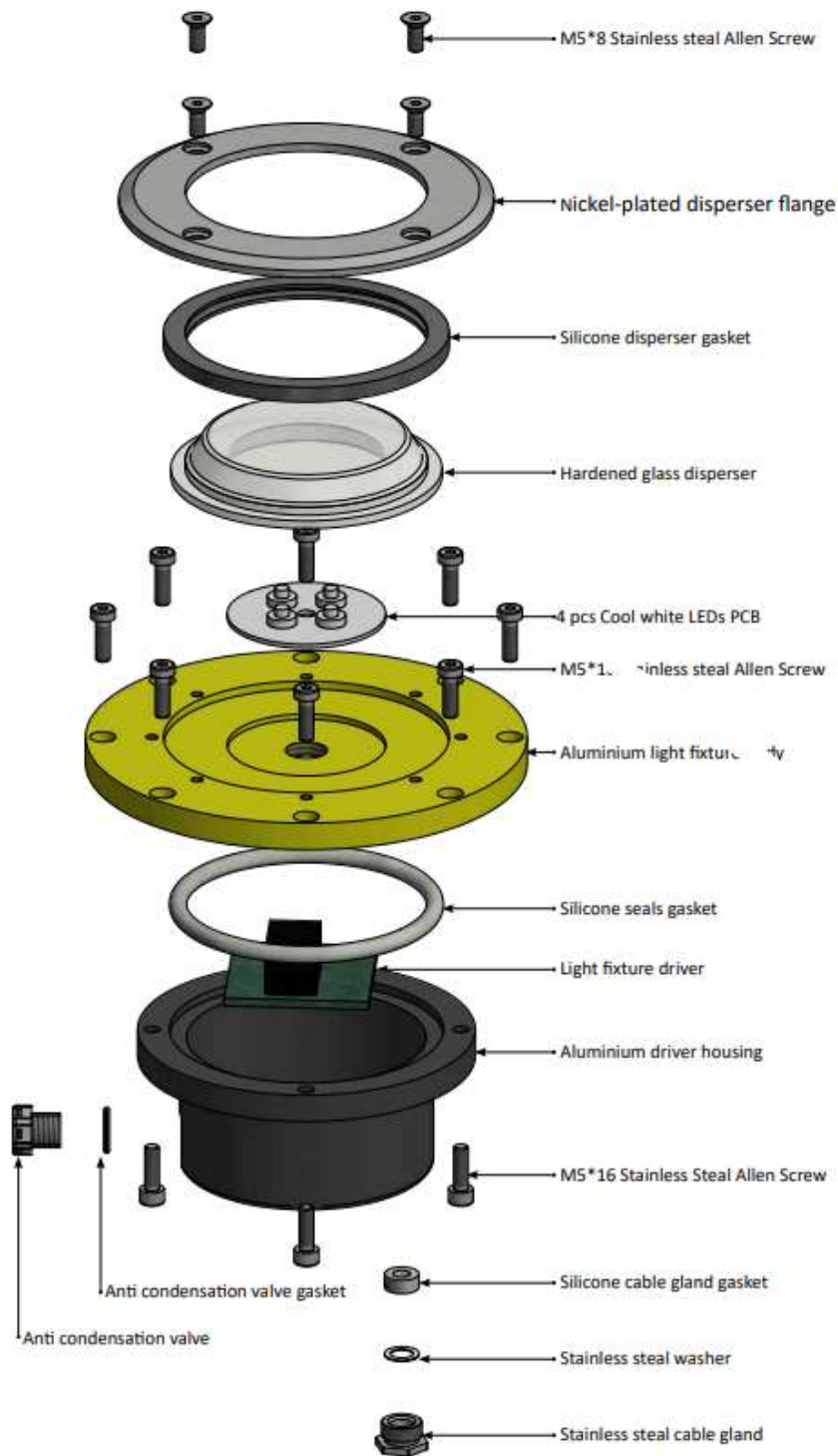
- HELY INSET FATO: AL-071-03-WH- White
- HELY INSET TLOF: AL-073-03-GR- Green
- HELY INSECT TAXIWAY: AL-072-03- BL- Blue

Dimensions

- Diameter: 153mm
- Height: 80mm
- Weight: 1.5kg



Exploded View



Accessories

Description	Code	Image
Standard Φ 160mm Shallow Base	AL-104-AX	
Adapter Ring for 8" Shallow Base	AL-105-AX	
Φ 160mm Surface Mounted Base	AL-106-AX	
IP68 Electrical Junction Box	AI-107-AX	
Φ 160mm Shallow Base Installation Jig	AL-108-AX	