

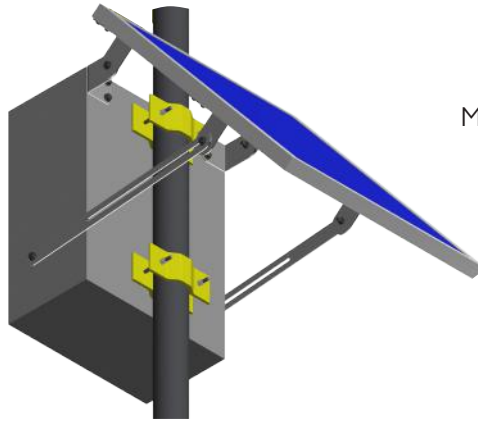
SOLAR POWER SYSTEM



<p>Application</p>	<p>Power supply for individual beacons or multiple beacons systems.</p>
<p>Features</p>	<p>The photo voltaic panel system is designed for situations where it is difficult or impossible to power the obstruction lights from mains. The battery, charger and control unit are mounted in a resistant metal housing.</p>
<p>Product Code</p>	<p>AL - OBS - XX - XXX</p> <p>Series Indicator (Airfield Lighting) AL</p> <p>Category (Obstruction Lighting) OBS</p> <p>Operating Voltage (V - volt) XX</p> <p style="padding-left: 40px;">12 - 12 V, operating voltage</p> <p style="padding-left: 40px;">24 - 24 V, operating voltage</p> <p style="padding-left: 40px;">48 - 48 V, operating voltage</p> <p>Photovoltaic System Power (kWh - kilowatt hour) XXX</p> <p style="padding-left: 40px;">004 - 0.4kWh, 12V operating voltage, 30Ah battery</p> <p style="padding-left: 40px;">015 - 1.5kWh, 24V operating voltage, 60Ah battery</p> <p style="padding-left: 40px;">096 - 9.6kWh, 48V operating voltage, 200Ah batteries or other powers as required</p>

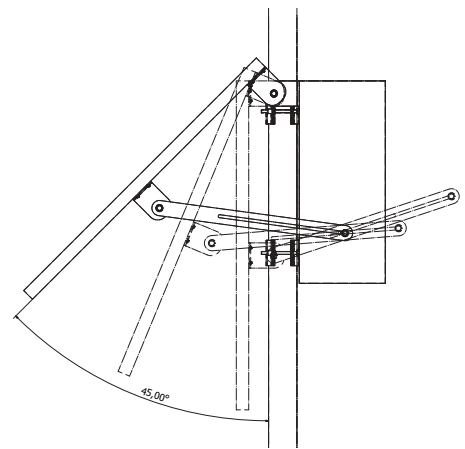
<p>Description</p>	<p>Housing The battery, charger and controller unit are enclosed in an powder coated, IP 54, metal case.</p> <p>Solar Panel Made of mono or poly crystalline silicon solar cells. Resist environmental hazards such as hail, snow, ice, and storms.</p> <p>Charger /Control unit Standard controller or MPPT type for increased efficiency. The controller automatically turns on the beacon at night. The charger protects the battery from overcharging depending on the environment temperature. Is designed to enhance the power system performance, providing effective battery charging whilst ensuring the demands of the load equipment are met.</p> <p>Battery The battery is not included for transport purposes.</p> <p>System Skid The sliding system is designed to provide the possibility of adjusting the incidence angle of the photo voltaic panel between 0° and 45°. The installation of the equipment is made on a vertical tube. The diameter of the tube may vary from 30mm to 80 mm.</p> <p>IMPORTANT: The photovoltaic panel must be oriented towards South.</p>
<p>Environment</p>	<p>Temperature range: -40° to +55° ,+80° on the surface of the photovoltaic panel</p> <p>Degree of protection: IP 65</p>

Mounting



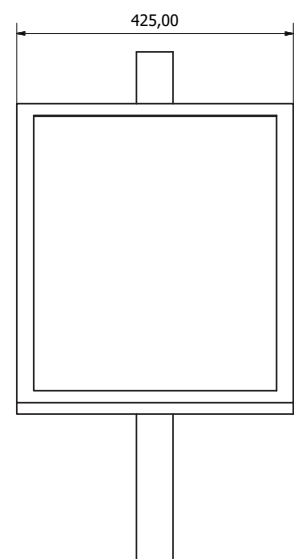
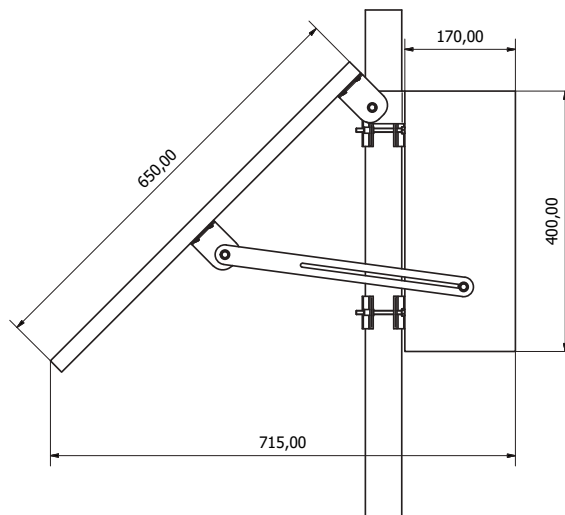
Mounting on $\Phi 30$ mm up to $\Phi 80$ mm pipe.

Sliding System - from 0° up to 45°



Mechanical Characteristics

Width maximum Length 715 mm / 425 mm
 Maximum Height 650 mm
 Total Weight 24 kg



The system includes the following components:
 Cable glands
 Pole mounting system
 Photovoltaic panel mounting kit (sliding system)

Electrical Characteristics

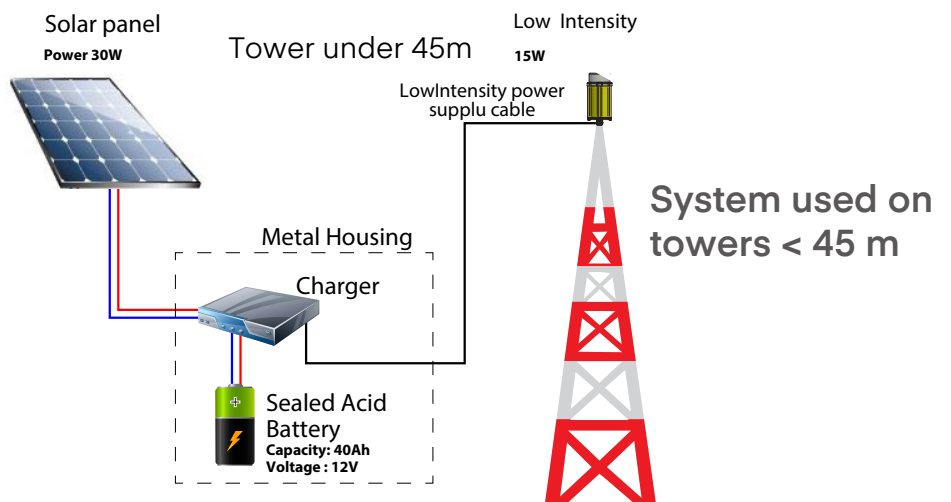
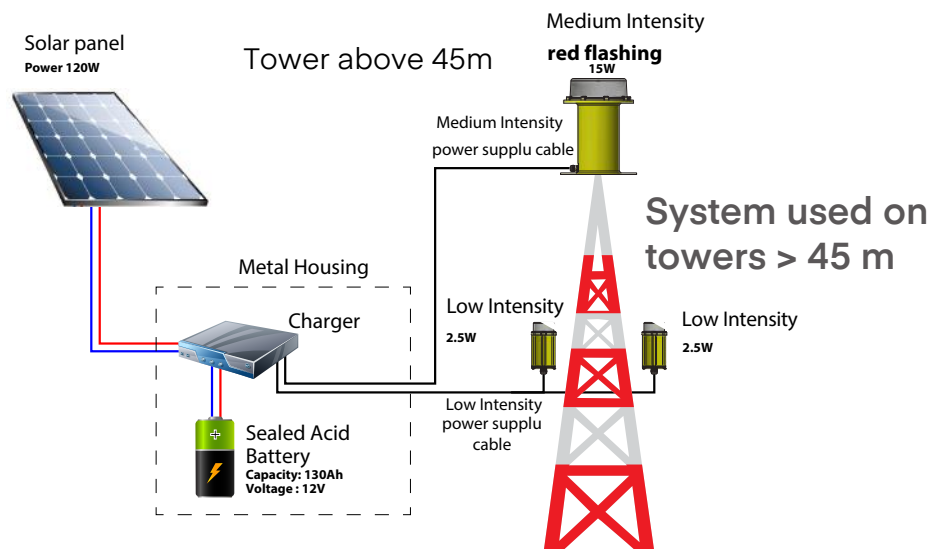
From this configurable solar power system the following types of beacons can be powered:

- Low intensity obstruction light type A single or double - 1.5Wh.
- Low intensity obstruction light type B single or double - 3Wh.
- Group of low intensity obstruction lights type A or type B, single or double.
- Medium intensity obstruction light type A - white light flashing - 30Wh.
- Medium intensity obstruction light type B - red light flashing -15Wh.

System Configuration Options:

- Operating voltage: 12 V DC, 24 V DC, 48 VDC.
- Solar panel power output: from 30W up to 200W.
- Charger / Control unit type: standard or MPPT.
- Battery capacity: from 30Ah up to 200Ah.

Examples of Systems





Accessory

To order accessories please call our customer support.
For contact details please refer to our website - www.signalight.com

als



Airfield Lighting Systems UK Ltd

Aviation House, Russell Gardens, Wickford, Essex, SS11 8BF, UK

www.alsuklid.co.uk

sales@alsukltd.co.uk

Phone +44 (0)1702 547562