


Vista V2 Taxiway



<p>Compliance to standards</p>	<p>ICAO: International Civil Aviation Organization, Aerodromes, Annex 14, Vol. 1</p> <p>IEC TS 61827: Electrical installations for lighting and beaconing of aerodromes Characteristics of inset and elevated luminaires used on aerodromes and heliports</p>								
<p>Application</p>	<p>Omnidirectional TAXI lights made with BLUE LEDs, to indicate the taxiing way for the pilots of the airplanes on airports and aerodromes.</p> <p>The VISTA design has been done in such way as to provide maximum safety. It is a reliable and flexible product, being easy to fit into any kind of infrastructure.</p>								
<p>Features</p>	<p>Designed and built with simplicity and ease of maintenance in mind. High power LED technology Lightweight, low-energy and environment friendly lighting fitting. Extensive use of aluminium alloys reduces fitting weight and eases handling in the field.</p>								
<p>Product Code</p>	<p>AL - 158 - 01 - BL</p> <table data-bbox="555 1682 1374 1832"> <tr> <td>Series Indicator (Airfield Lighting)</td> <td>AL</td> </tr> <tr> <td>Product Indicator</td> <td>158</td> </tr> <tr> <td>LEDs Number</td> <td>01</td> </tr> <tr> <td>LEDs Light Colour (blue)</td> <td>BL</td> </tr> </table>	Series Indicator (Airfield Lighting)	AL	Product Indicator	158	LEDs Number	01	LEDs Light Colour (blue)	BL
Series Indicator (Airfield Lighting)	AL								
Product Indicator	158								
LEDs Number	01								
LEDs Light Colour (blue)	BL								

<p>Description</p>	<p>Housing - Powder coated aluminium RAL 1004 (aviation yellow) ●</p> <p>Dispenser - clear polycarbonate</p> <p>Cable gland - nickel plated brass</p> <p>Fasteners - stainless steel</p> <p>Light fixtures are provided with anti condensation valve.</p>
<p>Environment</p>	<p>Temperature range: - 55° to +55°</p> <p>Degree of protection: IP X8</p> <p>Ka tested: Salt mist</p>
<p>Mounting</p>	<p>Mounted on Ø260mm Base with Frangible Coupling</p> 

Electrical Characteristics

Power consumption: 5W

Power supply: 90-230V, 50/60HZ - non dimmable
1.4A DC- dimmable: 100%, 30%, 10%

Electrical Connections

Types of power supply:

230V AC directly from mains power supply

Live (brown)

Neutral (blue)

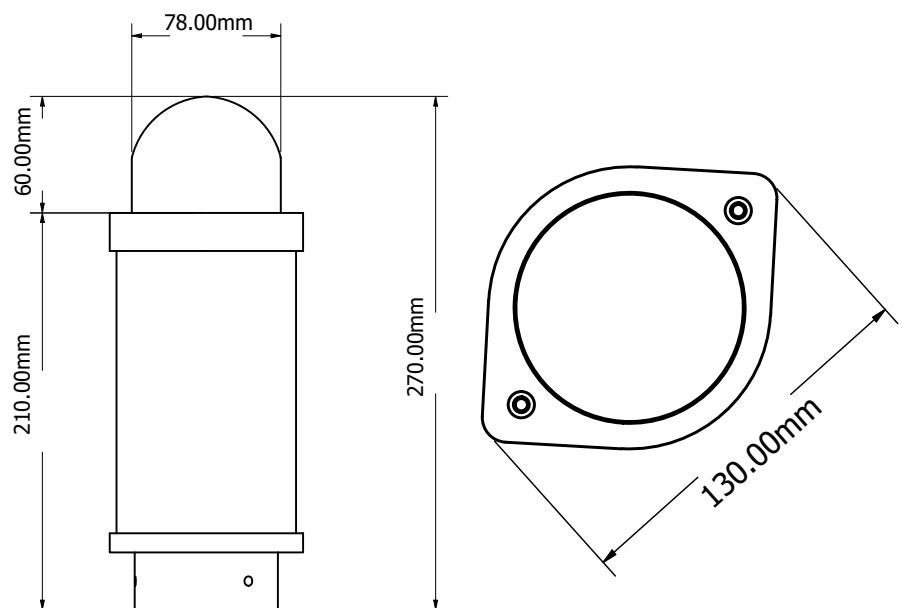
Ground (green/yellow)

1.4A DC power supply from controller with 2 core cable

V+ (red mark)

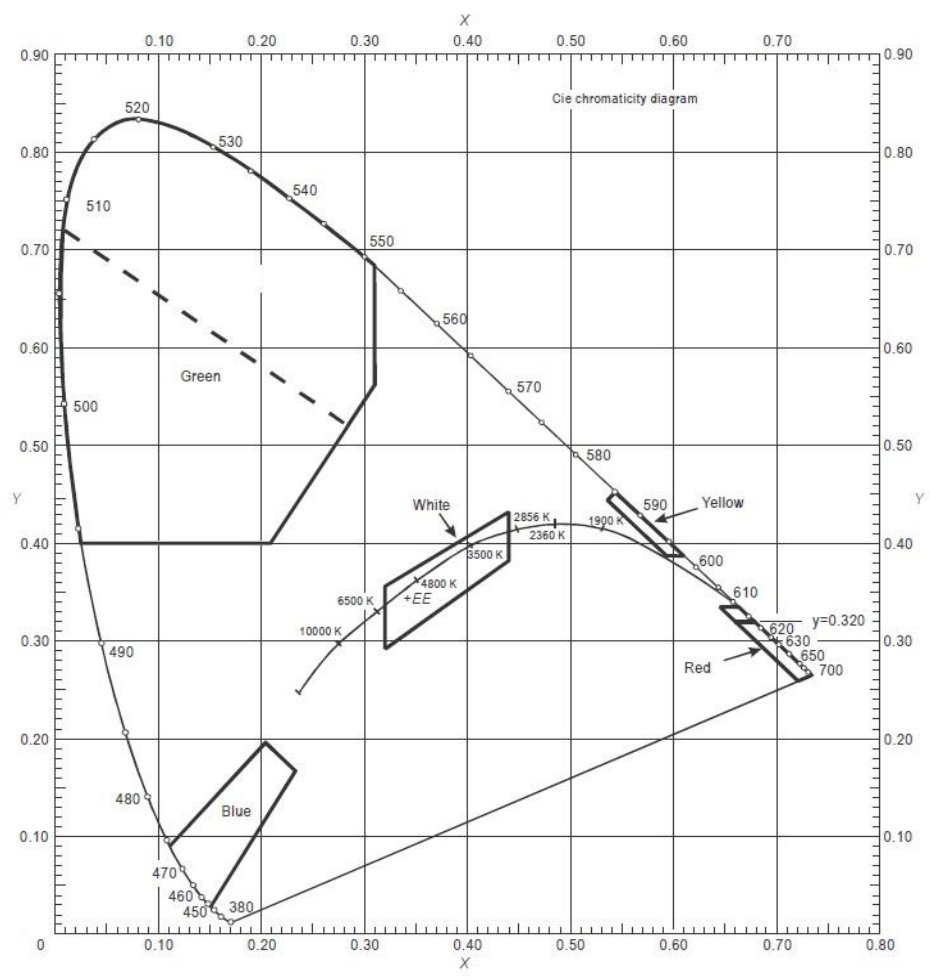
V- (blue mark)

Mechanical Characteristics



Photometric Characteristics

The intensity of taxiway edge lights shall be at least 2 cd from 0° to 6° vertical, and 0.2 cd at any vertical angles between 6° and 75°.



The measured trichromatic coordinates correspond to colour range requirements in:

ICAO Annex 14 - Aerodromes Vol.1, ig. A1-1b. Colours for aeronautical ground lights (solid state lighting)

Accessory

To order accessories please call our customer support.

#	NAME - SERIES	PRODUCT CODE	IMAGE
1	Φ32 mm Coupling Tube	AL-100-AX	
2	Frangible Coupling	AL-101-AX	
3	Φ260mm Base Plate	AL-102-AX	
4	Mounting Flange	AL-103-AX	
5	ElectroMax Standard Φ160mm Shallow Base	AL-104-AX	
6	Adapter Ring for 8" Shallow Base	AL-105-AX	
7	Φ160mm Surface Mounted Base	AL-106-AX	
8	IP68 Electrical Junction Box	AL-107-AX	
9	Φ160mm Shallow Base Installation Jig	AL-108-AX	
10	Cable with connector KDC501 EFLA	AL-122-AX	

als



Airfield Lighting Systems UK Ltd

Aviation House, Russell Gardens, Wickford, Essex, SS11 8BF, UK

www.airfieldlightingsystems.co.uk

sales@alsukltd.co.uk

Phone +44 (0)1702 547562