

CCR-2100S  
Constant Current Regulator  
COMPACT IGBT TYPE

ICAO • Aerodrome Design Manual Part 5

IEC • 61822

FAA • AC 150/5345-10

AENA • DIN/DSEYN/PPT/002-05/13

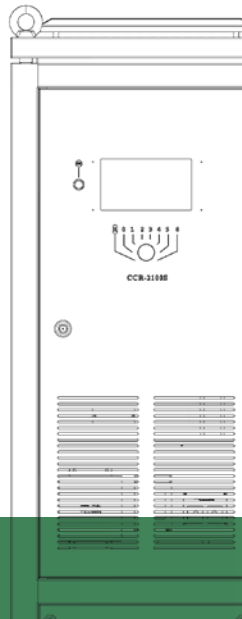
CAAC • MH/T 6010

**FEATURES**

- **IEC 61822**  
Tested by BV and proved in conformity with IEC 61822
- **CE**  
EU CE certified
- **IGBT**  
IGBT high frequency PWM and pure sine wave output
- **32-BIT**  
32-bit high speed processor providing microsecond speed in transaction
- Up to 6 brightness steps, user adjustable output current
- 1000M high precision on-line insulation resistance measurement
- Lamp fault detection provides accurate detection of burnt lamps
- Natural cooling and no noise
- **0.99**  
Power factor exceeding 0.99
- Perfectly suitable for loads of various characteristics
- Effectively increase life expectancy of light sources
- 7 inches full color touch screen provides rich information
- Flexible parameter settings
- Lightning protection at both input and output sides
- Comprehensive over current and over voltage protection
- Various types of remote control interfaces
- **100+**  
Choice of 100+ airports worldwide

**TECHNICAL DATA**

Operating Temperature • -30°C~+55°C	Humidity • 10%~95%	Altitude • ≤5000m
Power Factor (nominal) • ≥0.99	Open Circuit Output Voltage • <1.3 times the rated output voltage	Efficiency • ≥92%
Emission • IEC 61000-6-4	Immunity • IEC 61000-6-2	Service Life • > 12 years
Protection Class • IP21	Input Voltage • AC 220/230/380/400V±10% 50/60Hz	
Tolerance • ±0.1A	Output Power • 2.5-10kVA (AC 380/400V) 2.5~7.5kVA (AC220/230V)	
Remote Control • Multi-wire (DC24V/48V), Redundant Modbus/Modbus-TCP, PROFIBUS and CAN		

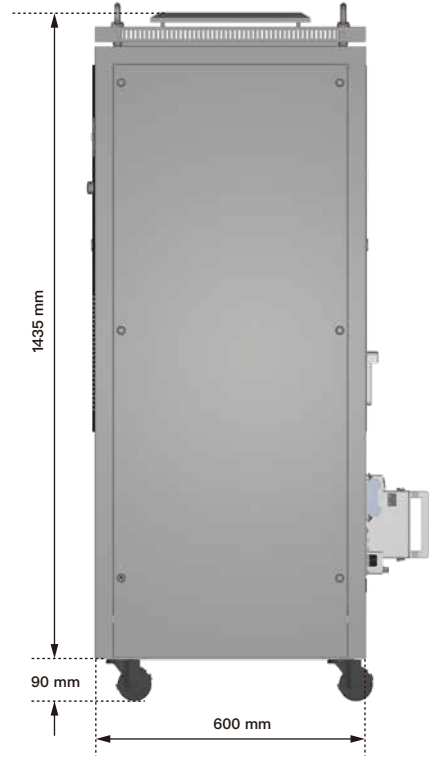
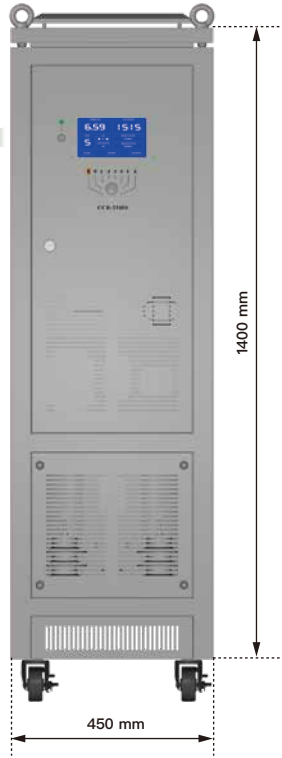


ACCESSORIES

DIMENSIONS



- ⊙ Lifting lugs
- ⊙ AENA remote control connector
- ⊙ Series circuit cut-out
- ⊙ Circuit selector
- ⊙ Casters

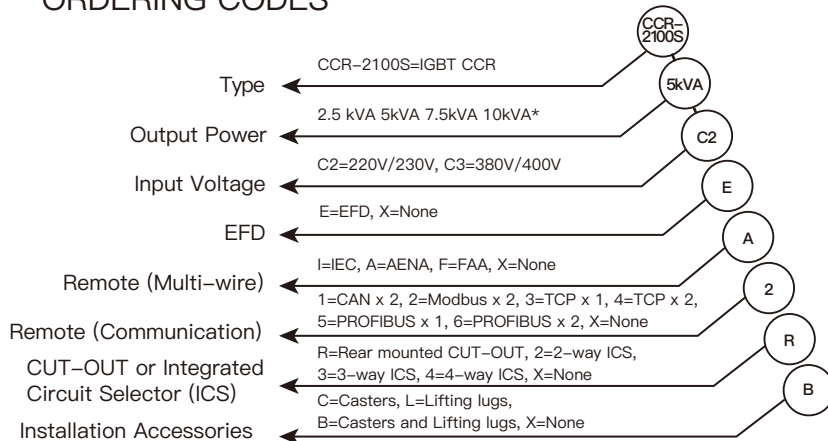


PACKAGING

Power (kVA)	Dimensions (L x W x H, mm)	Net Weight (kg)		Gross Weight (kg)	
		380V/400V	220V/230V	380V/400V	220V/230V
2.5	610 x 760 x 1650	149	149	175	175
5		178	178	206	206
7.5		204	204	230	230
10		212	/	238	/

\* Above data are reference values of one unit of standard CCR

ORDERING CODES



\* 10 kVA is only applicable for input voltage of 380/400V

Airfield Lighting Systems (UK) Limited  
 Aviation House, Russell Gardens, Wickford,  
 Essex, SS11 8BF UK

Tel: +44 1702 547562  
 Email: sales@alsukltd.co.uk  
 Website: www.alsukltd.co.uk