



## ELU series LED Unidirectional Elevated Lights

- AL/E Approach Centre Line and Crossbar
- AS/E Approach Side Row
- TH/E Runway Threshold
- TW/E Threshold Wing Bar
- RE/E Runway End
- SB/E Stop Bar No-entry Bar



ICAO • Annex 14 Volume I  
EASA • CS-ADR-DSN  
IEC • TS 61827  
AENA • DIN/DSEYN/PPT/015

FAA • AC 150/5345-46  
• EB No. 67  
CAAC • AC-137-CA-2015-01-R1  
• AC-137-CA-2015-03-R1  
• AC-137-CA-2017-03

## FEATURES

- Adaptable to all kinds of CCRs and ILCMS systems
- PWM digital regulation providing excellent consistency of chromaticity
- High pressure precision casting aluminum alloy light body with anti-UV coating
- Built-in surge protection
- Specially designed fail open system suitable for strong magnetism, vibration and other environments
- Easy and precise angle adjustment thanks to its unique mechanism

## TECHNICAL DATA

### MECHANICAL

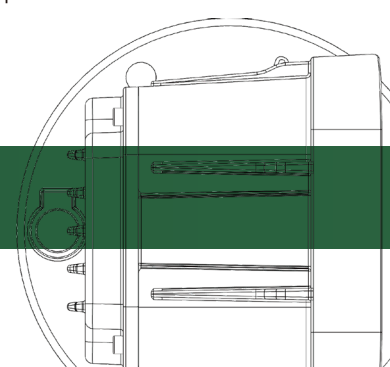
Baseplate Mounting Holes • 3xØ12      Net Weight • 2.8kg      Gross Weight • 3.1kg  
Packing Dimensions • 300mm (L) x 240mm (W) x 200mm (H)

### ENVIRONMENTAL

Operating Temperature • - 55°C~+55°C      Storage Temperature • - 55°C~+85°C      Protection Class • IP67      Humidity • 0~100%

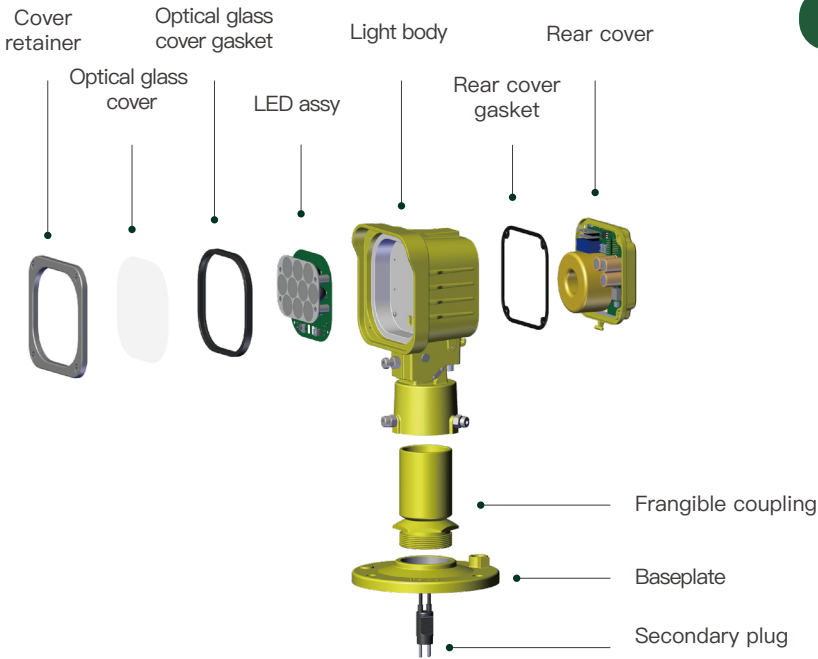
### ELECTRICAL

Connection • FAA L-823	Rated Input Current • 6.6A	Power Factor • >0.98
Emission • IEC 61000-6-4	Immunity • IEC 61000-6-2	Service Life • LED useful lamp life > 80000h
Approach Centre Line and Crossbar • 31VA	Approach Side Row • 22VA	Runway Threshold • 27VA
Threshold Wing bar • 27VA	Runway End • 11VA	Stop Bar • 8VA

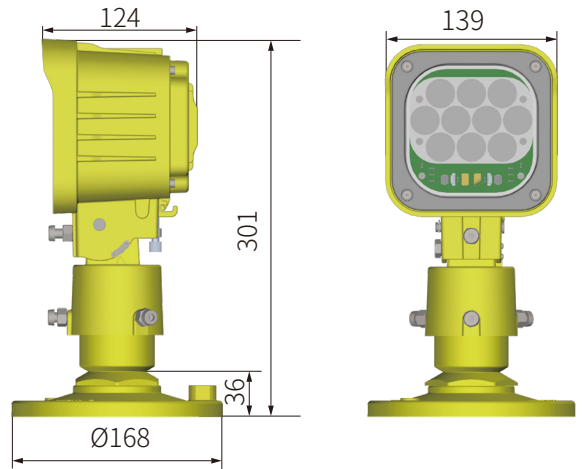




COMPONENTS



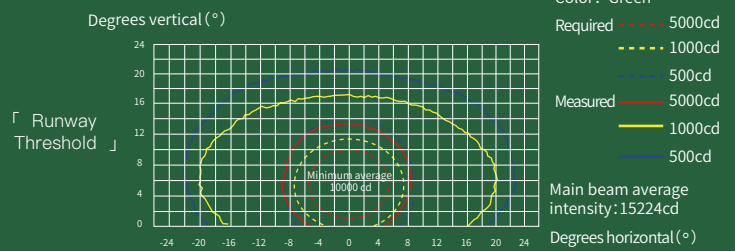
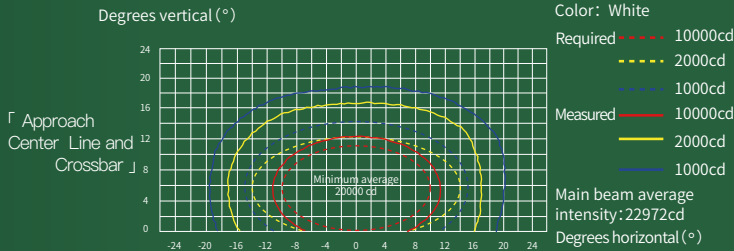
DIMENSIONS



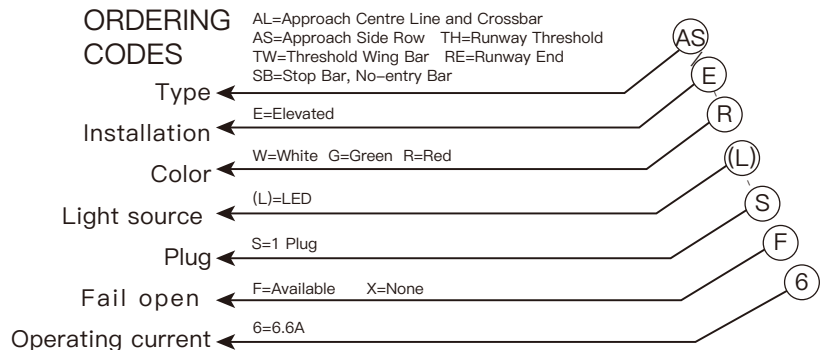
ACCESSORIES

- ◎ Baseplate (168mm OD)
- ◎ Baseplate (240mm OD)
- ◎ Baseplate (300mm OD)
- ◎ L-823 receptacle
- ◎ 2 inches frangible coupling type A (pole mounted)
- ◎ 2 inches frangible coupling type B (ground mounted)

PHOTOMETRICS



ORDERING CODES



\* Accessories should be ordered separately