

Vigilant® LED Based Side Markers

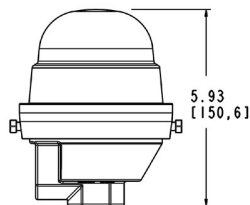
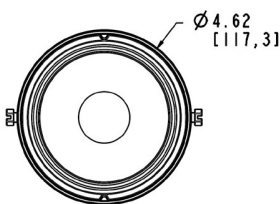
Low Intensity (Red)



Certifications & Ratings

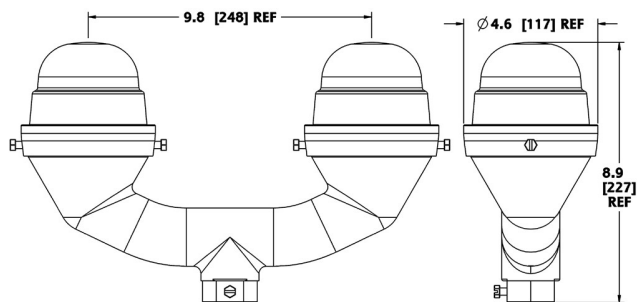
- 5 year warranty
- FAA AC 150/5345-43H
- FAA AC 70/7460-1L
- FAA Engineering Brief 67D
- ICAO Annex 14
- Transport Canada CAR 621.19
- CE

Single Fixture



Dimensions in inches [mm]

Dual Fixture



Dimensions in inches [mm]

FAA L-810 / ICAO Low Type B+E

Mechanical Information:

Weight:	Single unit - 2.00 lbs (0.91 kg) Dual unit - 4.60 lbs (2.09 kg)
Mounting Details:	NPT 3/4" and 1" NPT
Impact Rating:	IK10
Protection Rating:	IP66
Included Hardware:	1" NPT plug
Cable Entry Size:	NPT 3/4" and 1" NPT
Aerodynamic Wind Area:	0.15 ft ²

Electrical Specifications:

Operating Temperature:	-40°F to +131°F (-40°C to +55°C)
Power Factor:	> 0.9
Power Consumption:	
Single & Dual Units -	5.0 W (DC version) 5.5 W (AC version)
Input Current:	120-240 VAC, 50/60 Hz (55mA nominal) 12-48 VDC (63mA nominal)

Photometric Information:

Flash Intensity (nominal):	
Night (Red):	32 cd
IR Wavelength:	peak @ 850nm
Flash Rate:*	
Night (Red)	20/30/40 flashes per min
IR Pulse Rate	20/30/40 flashes per min
Expected Lamp Life	100,000 hours (approx. 10 years)

*Can also operate as steady burn

All values typical unless otherwise stated (tolerance +/- 10%)