

## PRODUCT DATASHEET

### AGL Primary Connector Kits KD500 & KD510



FAA AC 150/5345-26, L-823, Styles 3 & 10, Class B

**KD500 for screened cable**

**KD510 for unscreened cable**



KD Classic primary connector design has been the industry requirement for over 30 years. This silicon filled connector is fast to install and insulated screen continuity is available as an option. KD Classic fits with a wide range of cable sizes and is Intertek certified to FAA AC. Available for screened cables (KD500-series) and unscreened cables (KD510-series).

### Electrical characteristics

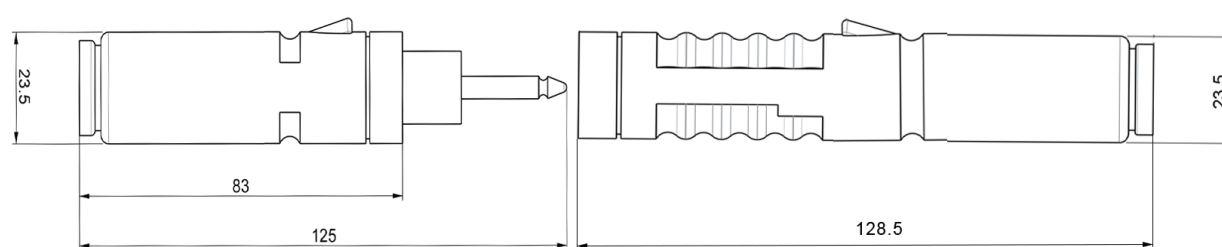
- Superior insulation resistance by thermoplastic elastomer (TPE)
- Nominal rating: 25 A and 5000 V
- Cable diameter 8.5–18.5 mm (0.275–0.827 inches)
- Conductor size 6–13 mm<sup>2</sup> (8–6 AWG)
- ROHS compliance with EU directive NO2002/95/EC
- Available for both screened (shielded) and unscreened (unshielded) cables.



## Technical data

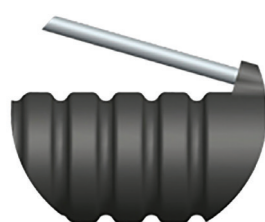
EFLA Type	Conductor size [mm <sup>2</sup> ]	AWG	Cable diameter [mm, inch]	Diameter at wire insulation [mm, inch]	Diameter/Length of assembly [mm, inch]
KD500	6	8	10.0–14.5 mm, 0.393–0.570"	7.0–10.5 mm, 0.275–0.413"	23.5/222 mm, 0.925/8.74"
KD500.1	6	8	14.0–18.5 mm, 0.551–0.728"	10.0–13.5 mm, 0.393–0.531"	23.5/222 mm, 0.925/8.74"
KD500.6	6	8	8.5–11.5 mm, 0.334–0.452"	5.0–7.5 mm 0.196–0.295"	23.5/222 mm, 0.925/8.74"
KD500.2	10	6	14.0–18.5 mm, 0.551–0.728"	10.0–13.5 mm, 0.393–0.531"	23.5/222 mm, 0.925/8.74"
KD500.5	10	6	10.0–14.5 mm, 0.393–0.570"	7.0–10.5 mm, 0.275–0.413"	23.5/222 mm, 0.925/8.74"
KD510	6	8	10.0–14.5 mm, 0.393–0.570"	7.0–10.5 mm, 0.275–0.413"	23.5/222 mm, 0.925/8.74"
KD510.1	6	8	14.0–18.5 mm, 0.551–0.728"	10.0–13.5 mm, 0.393–0.531"	23.5/222 mm, 0.925/8.74"
KD510.6	6	8	8.5–11.5 mm, 0.334–0.452"	5.0–7.5 mm 0.196–0.295"	23.5/222 mm, 0.925/8.74"
KD510.2	10	6	14.0–18.5 mm, 0.551–0.728"	10.0–13.5 mm, 0.393–0.531"	23.5/222 mm, 0.925/8.74"
KD510.5	10	6	10.0–14.5 mm, 0.393–0.570"	7.0–10.5 mm, 0.275–0.413"	23.5/222 mm, 0.925/8.74"

## Outline dimensions

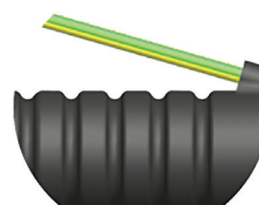


## Screen continuity

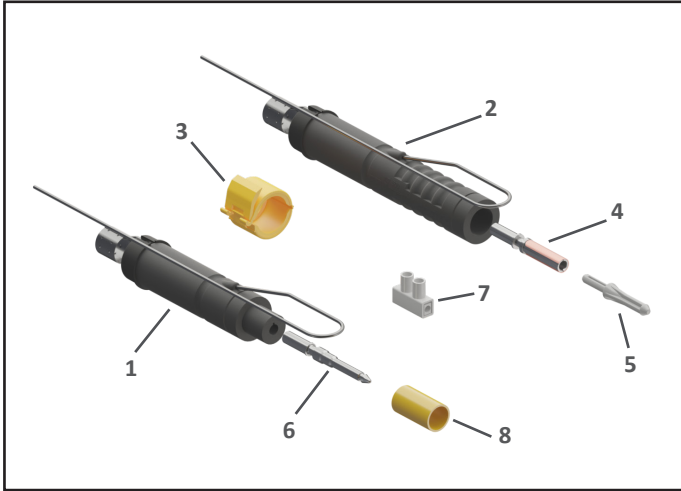
The standard screen continuity for KD500 is a 300 mm long, 2.5 mm<sup>2</sup> tinned copper wire. The yellow green jacket is available for KD500 with part number named KD500.X/YG.



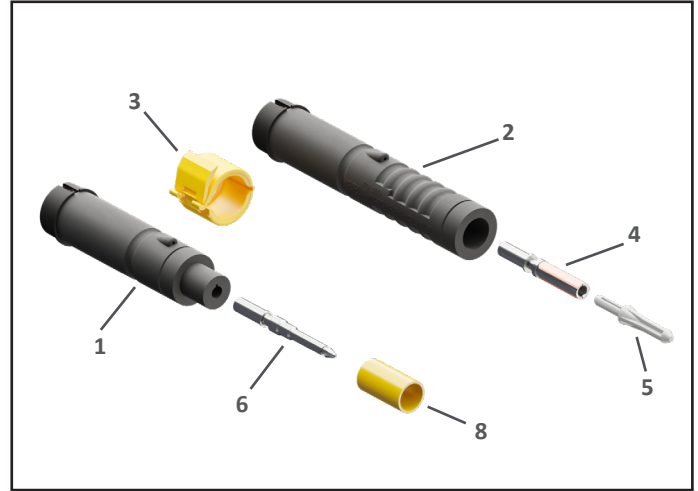
KD500



KD500.X/YG



KD500



KD510

## Contents:

Silicon grease, installation instructions, paper towel and the components labeled in these figures above.

- |  |  |
|--|--|
| 1. Male housing (with screen continuity for KD500)   | 5. Guiding pin (plastic)                     |
| 2. Female housing (with screen continuity for KD500) | 6. Metal pin                                 |
| 3. EFLA lock (x2)                                    | 7. Screw type connector (6 mm <sup>2</sup> ) |
| 4. Metal socket                                      | 8. Measuring tool                            |

## Suggested crimping tools

	Manual Crimping Tools	Electric Crimping Tools
Primary connectors	Elpress GWB 4099C KLAUKE K05/6 KLAUKE K24 KLAUKE K18	Elpress PVL 130S - WB4099



### Note:

Information given in this document provides general description. We reserve the rights to make technical changes or modify contents of this document without prior notification.

©EFLA Oy, 2023. All rights reserved.

