

## Installation and Wiring Instructions for

## ELEVATED FITTINGS HIR, LIR &amp; LIA

# THORN

## RANGE

The Thorn elevated range of Airfield lights are of three different types: HIR 4/3, LIR 4/3, LIA 3/3, which are similar in construction.

## INSTALLATION

Rest socket on secondary lead from isolating transformer on slotted cup washer inside the mouth of conduit mounting coupler.

Loosen backnuts and screws on side of fitting, and separate housing from ball joint.

Loosen (do not remove) keyhole screws which retain lampholder plate, and remove lampholder assembly.

Screw back nut fully up on frangible base coupling. Screw base coupling/ball joint right home into conduit coupler, using tommy bar or spanner.

Fit sighting and levelling gauge, (note keyway — NB. Large slot in gauge is NOT keyway, but to allow secondary cable to rest in cases where slotted cup washer is not fitted), rotate base with tommy bar until sight is lined up parallel to runway (normally by aiming at position of next fitting). Lock in position by tightening back nut.

Level by the three levelling screws, leaving them all tight. Holes in the base of the gauge give screwdriver access to levelling screws. Remove gauge.

Push lampholder plug connection into supply socket, on secondary lead ensure that large pin is in large hole and refix lampholder assembly.

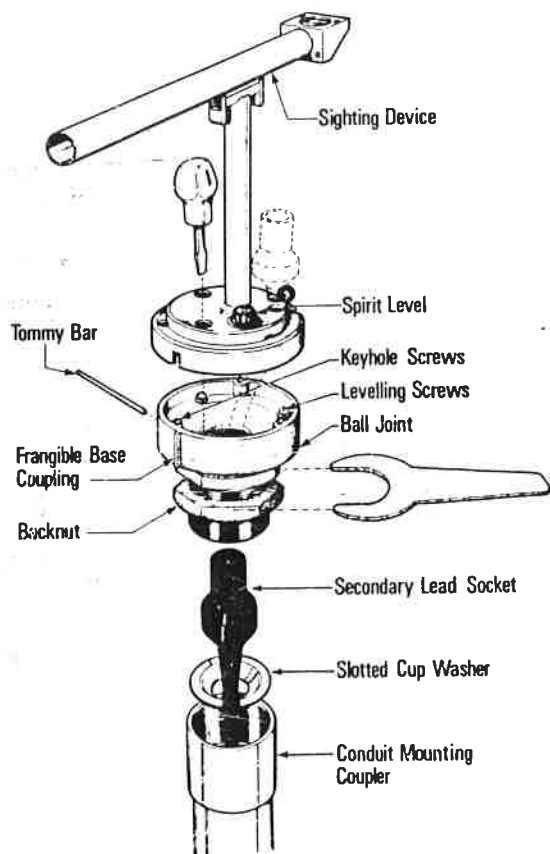
Replace housing and tighten housing retaining screws and back nuts.

Secure colour filters (if used) by filter clips and filter clamp spring. Do not clamp tightly. N.B. LIR 4/3 has coloured glass lens.

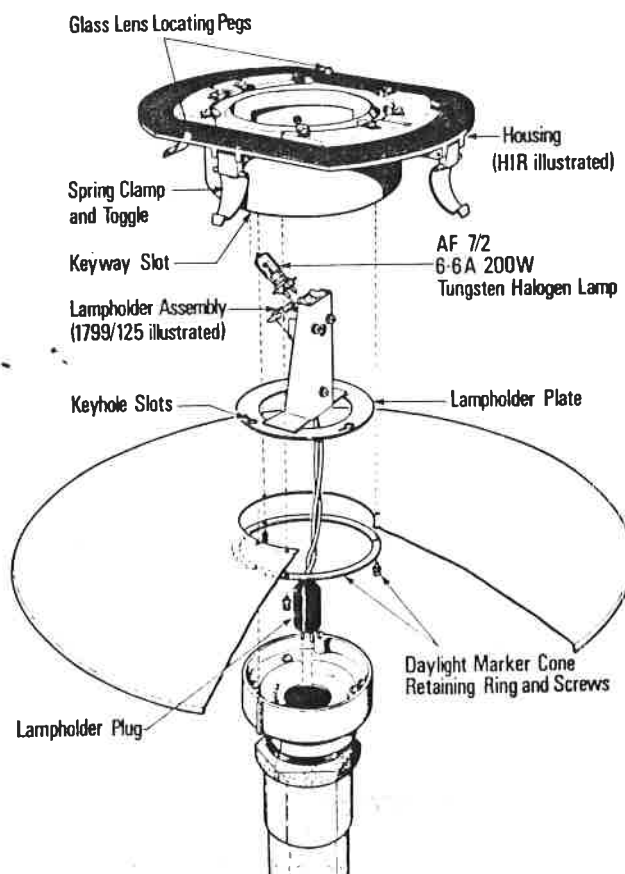
Fix external glass lens with toggles, checking that gasket is in position, and keyways are aligned.

To fit lamp, do not remove outer glass or filters, but lift off body complete with glassware.

DIAGRAMS SHOW HIR 4/3 FITTING, LIR 4/3 LIA 3/3 FITTINGS ARE INSTALLED SIMILARLY



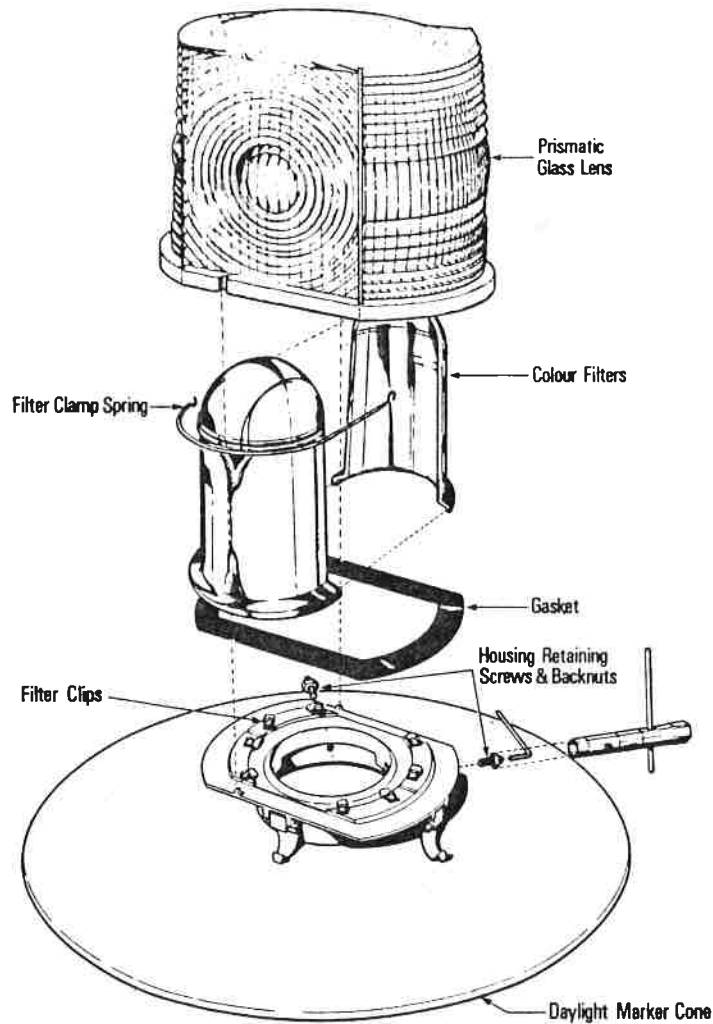
LEVELLING AND SIGHTING



INSTALLING LAMPHOLDER AND HOUSING

HIR 4/3 ILLUSTRATED AS TYPICAL

## INSTALLING FILTERS AND GLASS



## PARTS LIST FOR ELEVATED FITTINGS

|                                    | FITTING TYPE     |                  |              |
|------------------------------------|------------------|------------------|--------------|
|                                    | HIR 4/3          | LIA 3/3          | LIR 4/3      |
| COMPLETE ASSEMBLY (LESS GLASSWARE) | 1799/101         | 1798/101         | 1797/118     |
| PRISMATIC GLASS LENS               | 1799/102         | 1798/100         | 1797/45CL    |
| COLOURED GLASS LENS                | BLUE             | -                | 1797/45 B    |
|                                    | RED              | -                | 1797/45 R    |
| (IN PLACE OF CLEAR ABOVE)          | GREEN            | -                | 1797/45 G    |
|                                    | YELLOW           | -                | 1797/45 Y    |
| FILTER (180°)                      | BLUE             | 1799/100 B       | -            |
|                                    | RED              | 1799/100 R       | -            |
|                                    | GREEN            | 1799/100 G       | -            |
|                                    | YELLOW           | 1799/100 Y       | -            |
| FILTER CLAMP SPRING                | 1799/103         | 1799/103         | -            |
| GASKET                             | 1799/104         | 1798/102         | 1797/102     |
| HOUSING                            | 1799/105         | 1798/103         | 1797/103     |
| SPRING CLAMP AND TOGGLE ASSY       | 1799/128         | 1799/128         | 1799/128     |
| LAMPHOLDER ASSEMBLY                | 1799/127         | 1798/107         | 1797/120     |
| BALL JOINT                         | 1799/110         | 1799/110         | 1799/110     |
| FRANGIBLE BASE COUPLING            | 1799/111         | 1799/111         | 1799/111     |
| BACK NUT 2" BSP                    | 1799/112         | 1799/112         | 1799/112     |
| DAYLIGHT MARKER CONE               | 1799/106/126     | 1799/106/126     | 1799/106/126 |
| CHANGES FOR:-                      | Tungsten Halogen | Tungsten Halogen |              |
| COMPLETE ASSEMBLY (LESS GLASSWARE) | 1799/124         | 1798/110         |              |
| LAMPHOLDER ASSEMBLY                | 1799/125         | 1798/111         |              |
| FILTER CLIP CW CURSION             | 1799/114         |                  |              |